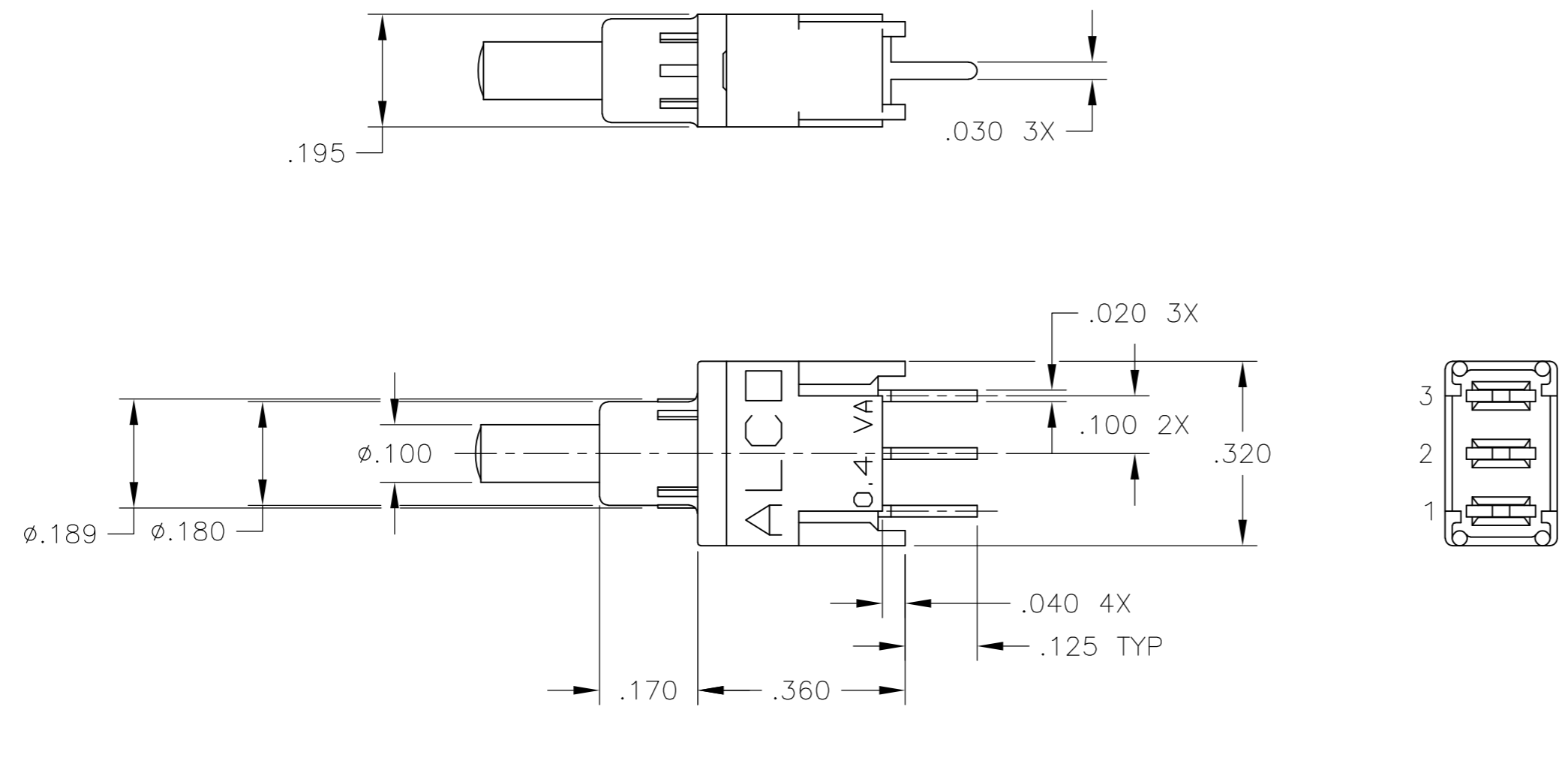
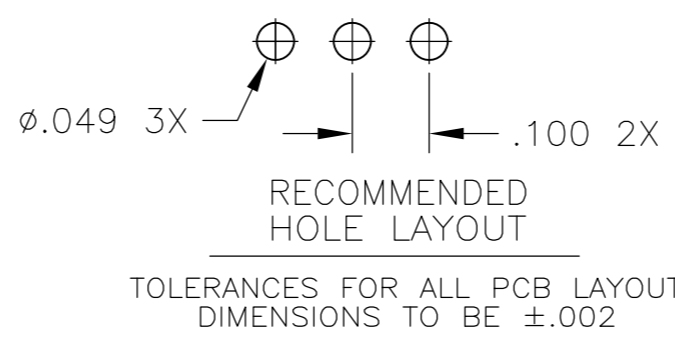


THIS DRAWING IS UNPUBLISHED. RELEASED FOR PUBLICATION  
 © COPYRIGHT - By - ALL RIGHTS RESERVED.

LOC		DIST		REVISIONS			
P	LTR	DESCRIPTION	DATE	DWN	APVD		
AD	00	A2	REVISED PER ECO-15-004048	16MAR2015	NK	RH	



**PC** PC MOUNT



**SPECIFICATIONS:**

**MATERIALS:**

CASE & BUSHING: LCP  
 BUTTON: POLYAMIDE  
 SPRING: MUSIC WIRE, ZN PLATED  
 MOVABLE CONTACT: BRASS OR COPPER ALLOY, AU OVER NI PLATED.  
 BRACKET: STEEL, TIN OVER COPPER PLATED  
 TERMINALS: BRASS, TIN OVER NICKEL IN SOLDER AREA AND GOLD OVER NI IN CONTACT AREA.  
 O-RING: NITRILE

**ELECTRICAL:**

CONTACT RATING: 0.4VA @ 20 VAC/DC  
 INITIAL CONTACT RESISTANCE: 20 MILLIOHMS MAX.  
 INSULATION RESISTANCE: 1000 MEGOHMS @ 500V DC MIN.  
 DIELECTRIC STRENGTH: **C** 1000 VOLTS RMS AT SEA LEVEL.  
**F** 500 VOLTS RMS AT SEA LEVEL.

LIFE EXPECTANCY: **C** 80,000 CYCLES  
**F** 60,000 CYCLES.

**MECHANICAL:**

ACTUATION TRAVEL: .035.

**ENVIRONMENTAL:**

OPERATING TEMPERATURE: -22°F TO +185°F  
 (-30°C TO +85°C)  
 STORAGE TEMPERATURE: -67°F TO +185°F  
 (-55°C TO +85°C)

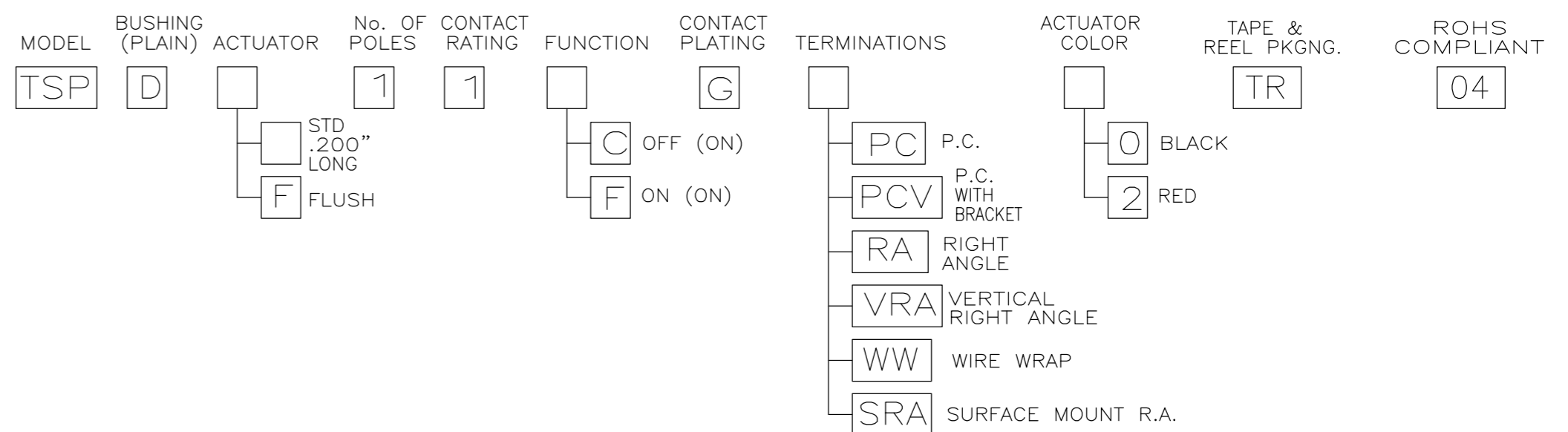
**NOTES:**

- ALL MATERIALS AND FINISHES COMPLY WITH EU DIRECTIVE 2002/95/EC OF 27JAN2003 (ROHS).
- F FUNCTION NOT AVAILABLE WITH SRA TERMINATION.

FIGURE 1

FUNCTION CHART			
THE FOLLOWING FUNCTIONS AVAILABLE IN SINGLE POLE.			
<b>C</b> 2 POSITIONS OFF (ON)			
TERMINALS CONNECTED: OMIT CENTER TERMINAL FOR FUNCTION <b>C</b>			
<b>F</b> 2 POSITIONS ON (ON)			
TERMINALS CONNECTED:			
OFF INDICATES A MECHANICAL POSITION WITH NO ELECTRICAL CONNECTION.			
(ON) INDICATES MOMENTARY ACTION			

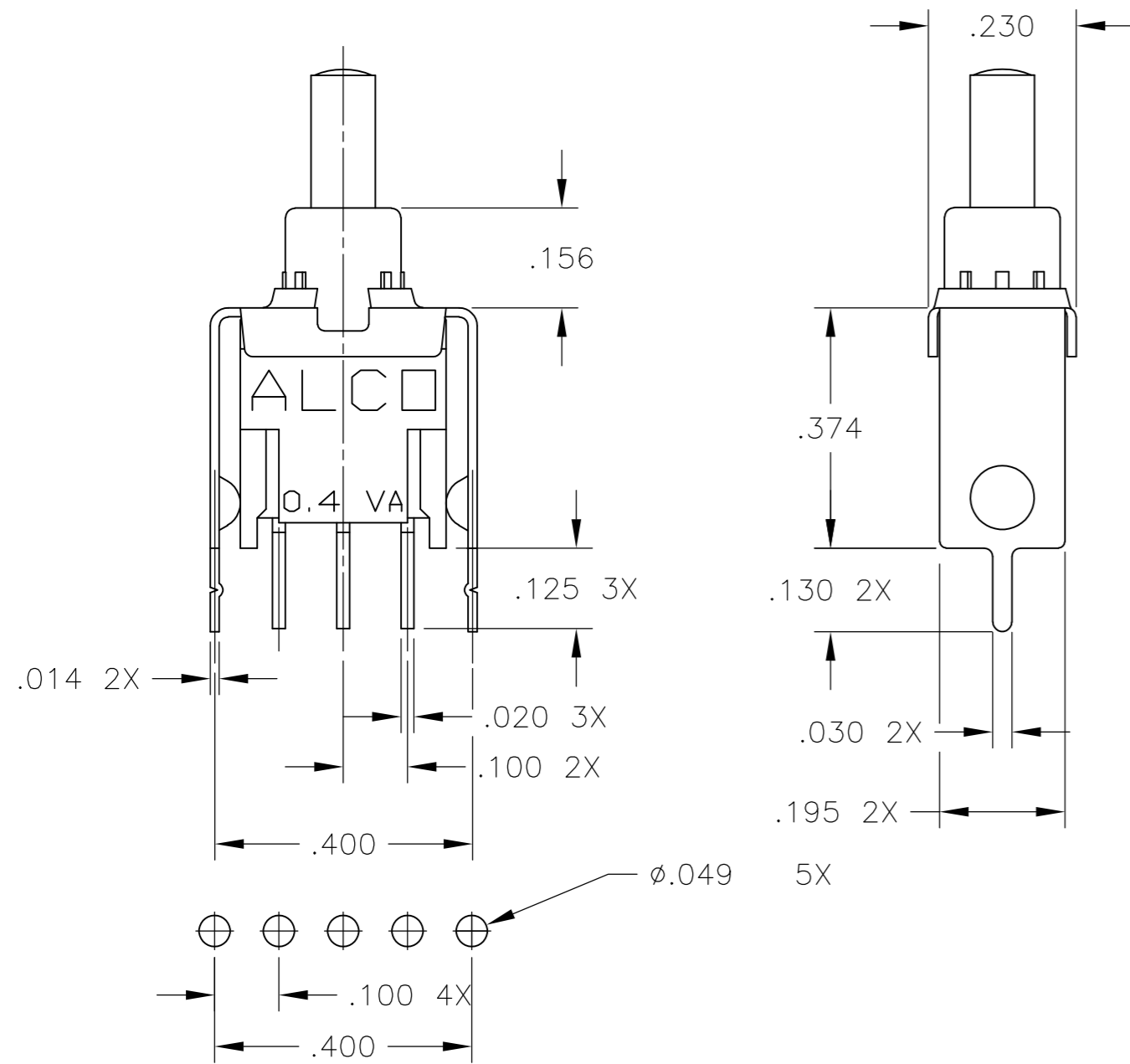
PART NUMBERING SEQUENCE



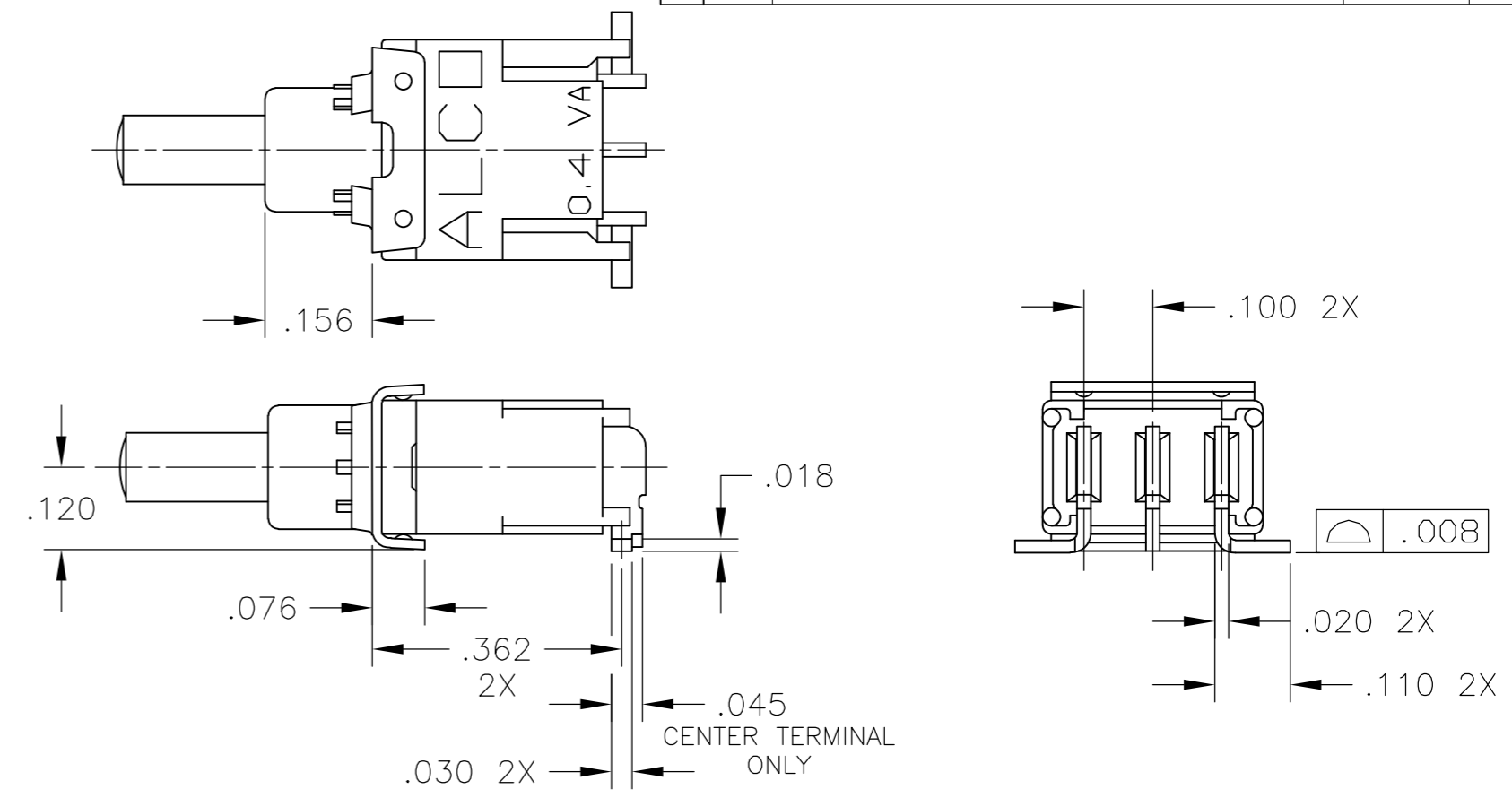
THIS DRAWING IS A CONTROLLED DOCUMENT.		DWN M.BINNER 01MAR05	TE Connectivity		
DIMENSIONS: INCHES		CHK M.ZITTO 01MAR05			
TOLERANCES UNLESS OTHERWISE SPECIFIED:		APVD M.ZITTO 01MAR05	NAME SEALED PUSHBUTTON SWITCH SINGLE POLE, TSP SERIES, ROHS COMPLIANT		
0 PLC ± - 1 PLC ± - 2 PLC ± - 3 PLC ± .010 4 PLC ± - ANGLES ± 1°		PRODUCT SPEC APPLICATION SPEC	SIZE A2	CAGE CODE 00779	DRAWING NO 1571990
MATERIAL		WEIGHT	RESTRICTED TO	SCALE 4:1	
FINISH		CUSTOMER DRAWING	SHEET 1 of 4		REV A2

THIS DRAWING IS UNPUBLISHED. RELEASED FOR PUBLICATION  
 © COPYRIGHT - By - ALL RIGHTS RESERVED.

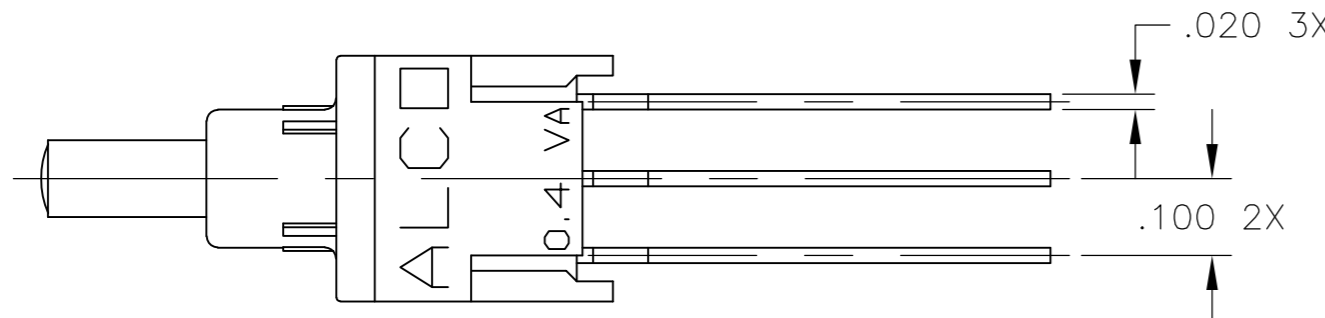
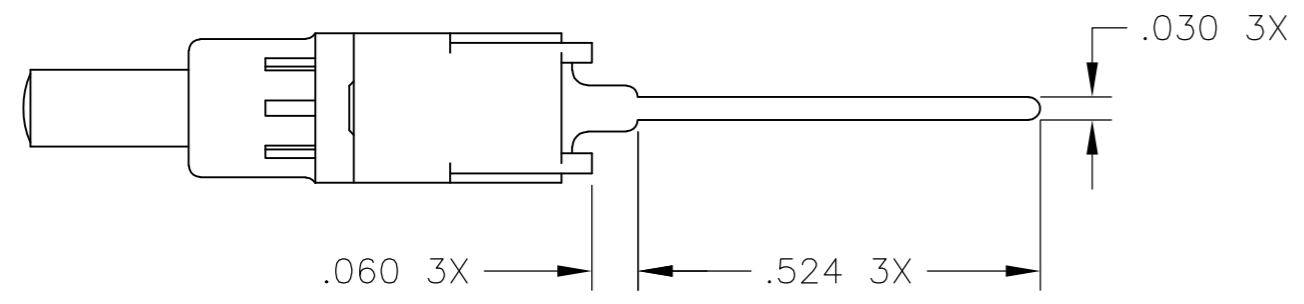
LOC		DIST		REVISIONS			
P	LTR	DESCRIPTION	DATE	DWN	APVD		
AD	00	SEE SHEET 1	-	-	-		



**PCV** PC WITH VERTICAL SUPPORT BRACKET



**SRA** SURFACE MOUNT RIGHT ANGLE, "L" BEND



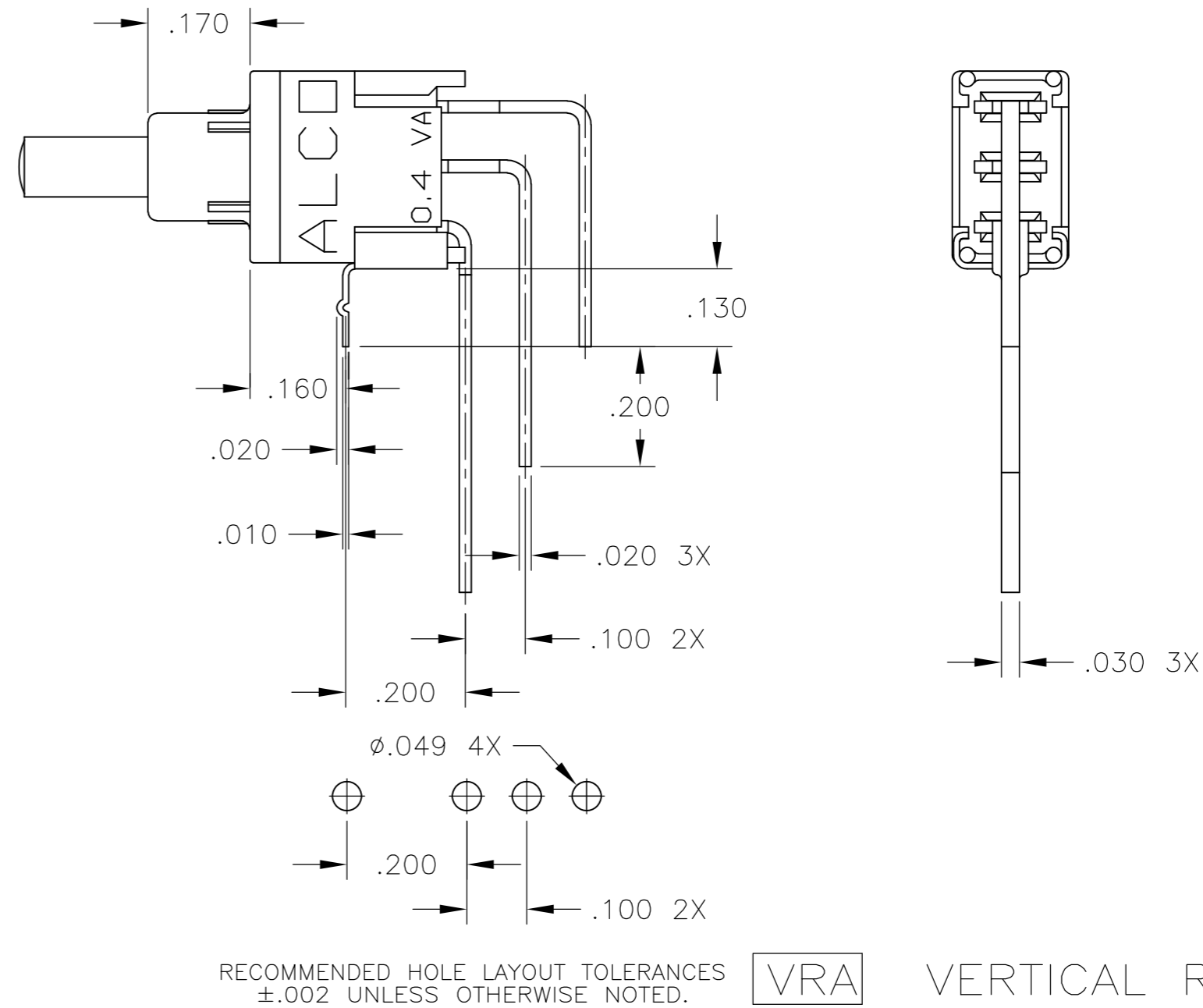
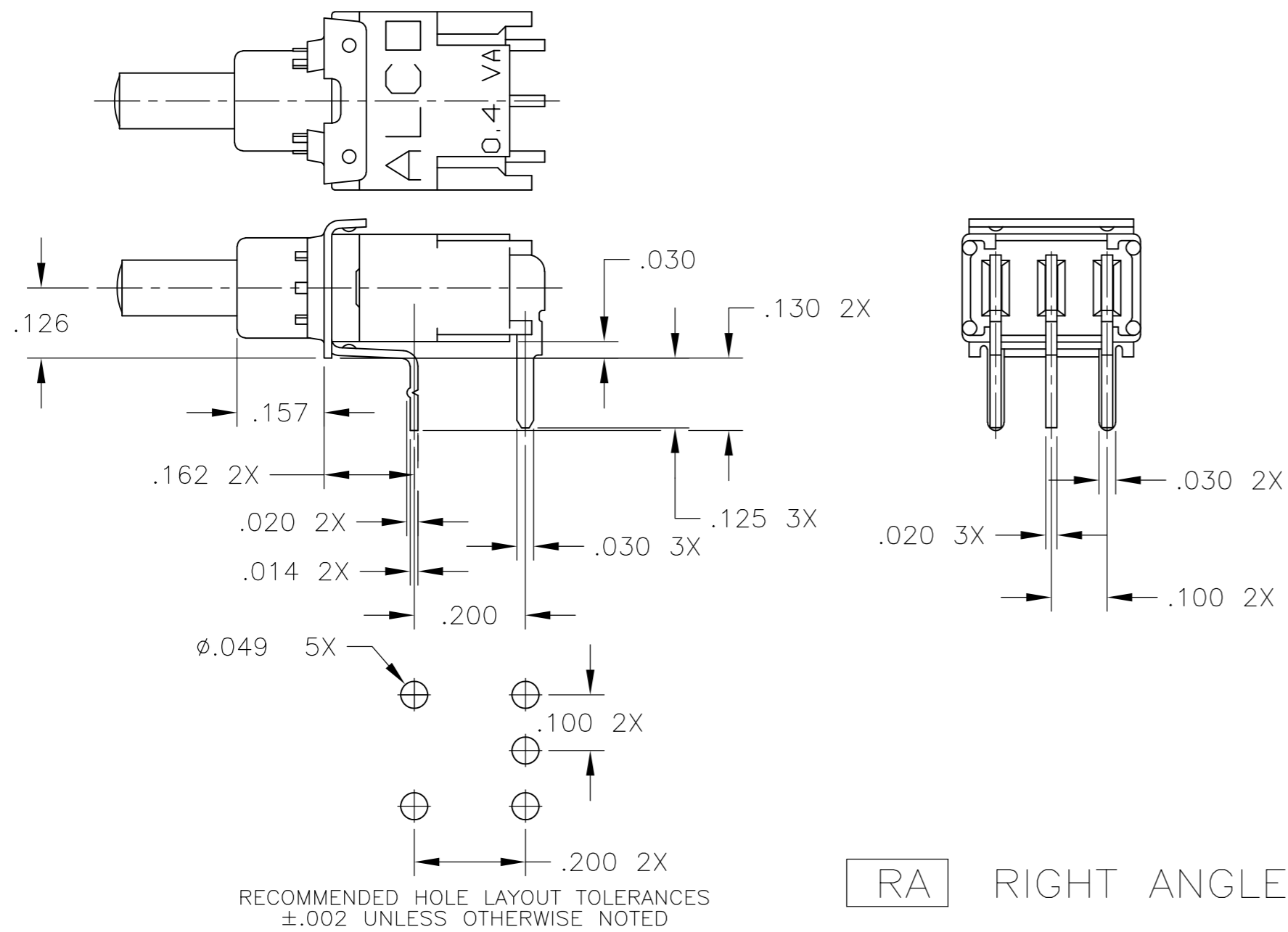
**WW** WIRE WRAP

RECOMMENDED HOLE LAYOUT TOLERANCES ±.002 UNLESS OTHERWISE NOTED.

THIS DRAWING IS A CONTROLLED DOCUMENT.		DWN	M.BINNER	01MAR05		TE Connectivity		
DIMENSIONS: INCHES		CHK	M.ZITTO	01MAR05		NAME		
TOLERANCES UNLESS OTHERWISE SPECIFIED:		APVD	M.ZITTO	01MAR05		SEALED PUSHBUTTON SWITCH		
0 PLC ± - 1 PLC ± - 2 PLC ± - 3 PLC ± .010 4 PLC ± - ANGLES ± 1°		PRODUCT SPEC		SINGLE POLE, TSP SERIES, ROHS COMPLIANT				
MATERIAL		FINISH		WEIGHT	SIZE	CAGE CODE	DRAWING NO	RESTRICTED TO
-		-		-	A2	00779	C=1571990	-
CUSTOMER DRAWING				SCALE	4:1	SHEET	2 of 4	REV
								A2

THIS DRAWING IS UNPUBLISHED. RELEASED FOR PUBLICATION  
 © COPYRIGHT - By - ALL RIGHTS RESERVED.

LOC		DIST		REVISIONS			
P	LTR	DESCRIPTION	DATE	DWN	APVD		
AD	00	SEE SHEET 1	-	-	-		




THIS DRAWING IS A CONTROLLED DOCUMENT.		DWN	M.BINNER	01MAR05		TE Connectivity		
DIMENSIONS: INCHES		CHK	M.ZITTO	01MAR05		NAME		
		APVD	M.ZITTO	01MAR05		SEALD PUSHBUTTON SWITCH SINGLE POLE, TSP SERIES, ROHS COMPLIANT		
TOLERANCES UNLESS OTHERWISE SPECIFIED:		PRODUCT SPEC		SIZE				
0 PLC ± -		APPLICATION SPEC		CAGE CODE		DRAWING NO		RESTRICTED TO
1 PLC ± -		WEIGHT		A2 00779		C=1571990		-
2 PLC ± -		CUSTOMER DRAWING		SCALE		SHEET		REV
3 PLC ± .010				4:1		3 OF 4		A2
4 PLC ± -								
ANGLES ± 1°								
FINISH								

THIS DRAWING IS UNPUBLISHED. RELEASED FOR PUBLICATION  
 © COPYRIGHT - By - ALL RIGHTS RESERVED.

LOC	DIST	REVISIONS					
		P	LTR	DESCRIPTION	DATE	DWN	APVD
AD	00	-	-	SEE SHEET 1	-	-	-

PRELIMINARY	TSPDF11FGVRA004	3-1571990-1
OBSOLETE	TSPDF11FGSRA004	<del>3-1571990-0</del>
	TSPDF11FGRA004	2-1571990-9
	TSPDF11FGPC004	2-1571990-8
	TSPDF11CGVRA004	2-1571990-7
OBSOLETE	TSPDF11CGSRA004	<del>2-1571990-6</del>
	TSPDF11CGRA004	2-1571990-5
OBSOLETE	TSPDF11CGSRAB0TR04	<del>2-1571990-4</del>
PRELIMINARY	TSPDF11CGSRA0TR04	2-1571990-3
	TSPDF11CGPC004	2-1571990-2
	TSPD11FGVRA004	2-1571990-1
OBSOLETE	TSPD11FGSRAB004	<del>2-1571990-0</del>
	TSPD11FGSRA004	1-1571990-9
	TSPD11FGSPC004	1-1571990-8
	TSPD11FGRA004	1-1571990-7
	TSPD11FGPCV004	1-1571990-6
	TSPD11FGPC004	1-1571990-5
	TSPD11CGWW004	1-1571990-4
	TSPD11CGVRA004	1-1571990-3
	TSPD11CGSRAB004	1-1571990-2
	TSPD11CGSRA204	1-1571990-1
	TSPD11CGSRA0TR04	1-1571990-0
	available	1571990-6
	TSPD11CGRA204	1571990-5
	TSPD11CGRA004	1571990-4
OBSOLETE	TSPD11CGPCV004	<del>1571990-3</del>
	TSPD11CGPC204	1571990-2
	TSPD11CGPC004	1571990-1
	Alco P/N	P/N

SUPERSEDED BY 1-1437573-9

THIS DRAWING IS A CONTROLLED DOCUMENT.		DWN M.BINNER 01MAR05	 TE Connectivity																			
DIMENSIONS: INCHES		CHK M.ZITTO 01MAR05																				
TOLERANCES UNLESS OTHERWISE SPECIFIED:		APVD M.ZITTO 01MAR05	NAME SEALED PUSHBUTTON SWITCH SINGLE POLE, TSP SERIES, ROHS COMPLIANT																			
<table border="0"> <tr> <td>0 PLC</td> <td>±</td> <td>-</td> </tr> <tr> <td>1 PLC</td> <td>±</td> <td>-</td> </tr> <tr> <td>2 PLC</td> <td>±</td> <td>-</td> </tr> <tr> <td>3 PLC</td> <td>±</td> <td>.010</td> </tr> <tr> <td>4 PLC</td> <td>±</td> <td>-</td> </tr> <tr> <td>ANGLES</td> <td>±</td> <td>1°</td> </tr> </table>		0 PLC	±	-	1 PLC	±	-	2 PLC	±	-	3 PLC	±	.010	4 PLC	±	-	ANGLES	±	1°	PRODUCT SPEC -	SIZE A2	
0 PLC	±	-																				
1 PLC	±	-																				
2 PLC	±	-																				
3 PLC	±	.010																				
4 PLC	±	-																				
ANGLES	±	1°																				
MATERIAL -		FINISH -	APPLICATION SPEC -	CAGE CODE 00779																		
		WEIGHT -	DRAWING NO 1571990	RESTRICTED TO -																		
CUSTOMER DRAWING			SCALE 1:1	SHEET 4 of 4																		
			REV A2																			